

FF-L-2890C

GSA APPROVED

Type III - Panic Bar Standalone Access Control (NEW)
Type IV - Panic Bar Existing Access Control Model

Compliance & Certifications

FF-L-2890C
GSA Approved
U.L. Fire Rated
NFPA 80 & 101 Life Safety
BHMA/ADA Grade 1



Shown with Key Override Function

Panic Bar Models

Type III & IV

The LockOne® Lock Series provides high security locking while maintaining single motion egress. These devices are compatible with any high security combination lock meeting FF-L-2740B, as well as a variety of access control devices. All LKM10K Models' life safety and security features meets FF-L-2890C. The combination lock represents the first level of security. The access control device represents the second level of security. The Panic Bar Models include an optional Key Override Function, which can override the access control device in the event of a power failure or malfunction.

BENEFITS

Interchangeable - You can install the LockOne™ Lock Series in your facility to maintain a consistent look as the appearance of the exterior trim has not changed.

Retrofittable - Simply remove the existing LKM7000 and attach our retrofit fixture, modify a few existing holes then install either the Type III or IV model (sold separately).

Field Tested - With thousands of LKM10Ks in use today the improvements made will exceed your expectations.

Key Override Option - A separate module is no longer necessary for this option. Key Override is standard on all LLKM10K models. However, it is optional to utilize, so it can be added with little effort at a later date if necessary. Key Override allows a key to "override" the access control device only. It will not override the combination lock. This capability is particularly important during the event of power outage, failure or malfunction of an access control device, or an emergency that requires expedited entry.

Note: Cylinder not included

Ease Of Operation - The internal linear bearing allows for easy entry and exit even with heavy loads applied to the door.

TYPES Standalone Access Control

Type III - Type I - Is provided with the 12V Security Door Controls (SDC) 920 keypad & power supply for use as standalone access control.

Type IV - Is for use with existing integrated access control system.



Access Control SDC Keypad
Provided with Type III Lock Package

National Stock Numbers

Panic Bar Model
X-10 Lock #2 Strike - 5340-01-678-6303

Providing **Life Safety**
and **High Security**

LKM10K
High Security Life Safety Exit Device

Panic Bar Model Interior Base Plate

GSA APPROVED

Type III - Panic Bar Standalone Access Control (NEW)
Type IV - Panic Bar Model

Compliance & Certifications

FF-L-2890C

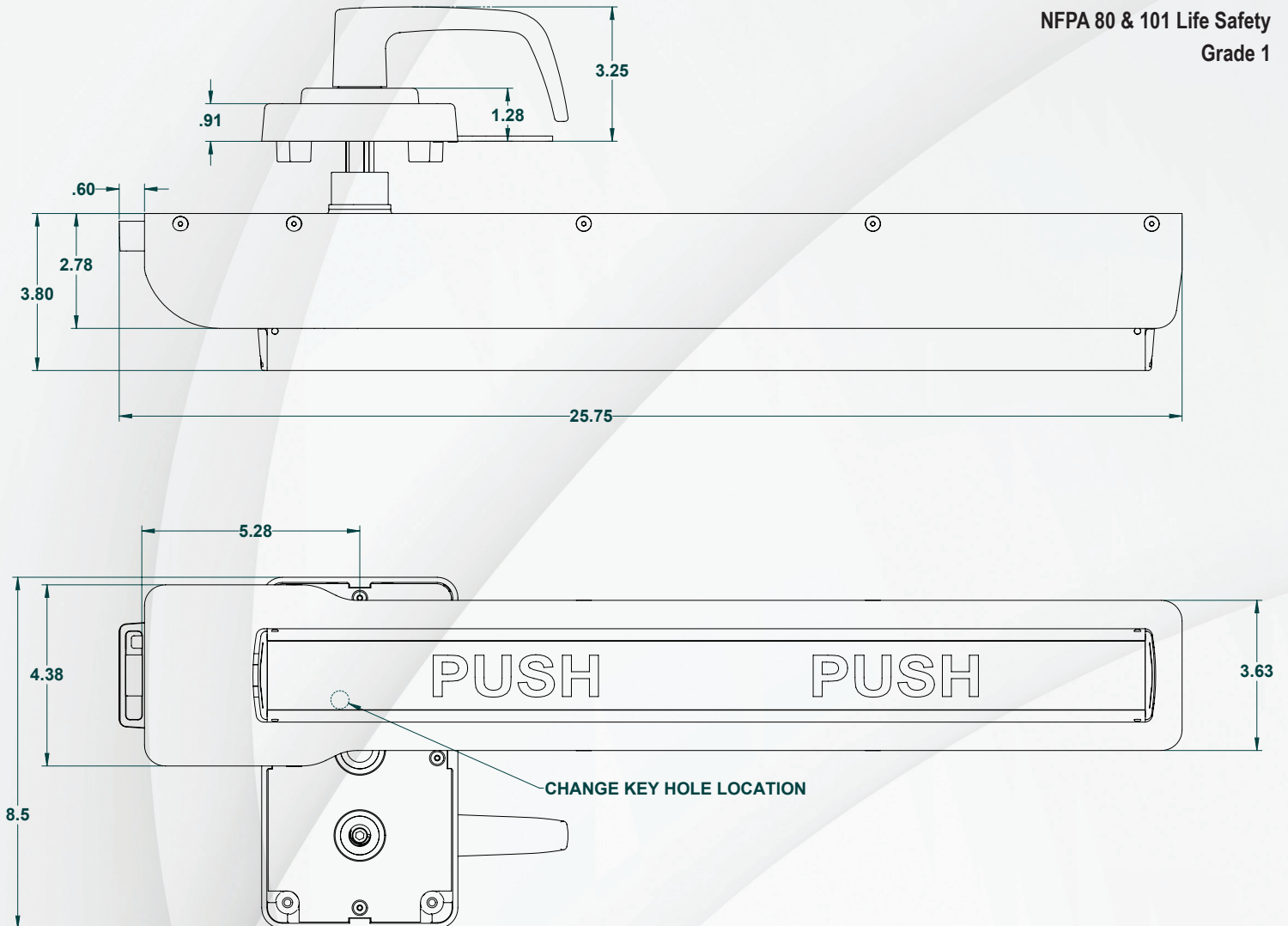
GSA Approved

U.L. Fire Rated 10B & 10C

U.L. 305 for Panic Devices

NFPA 80 & 101 Life Safety

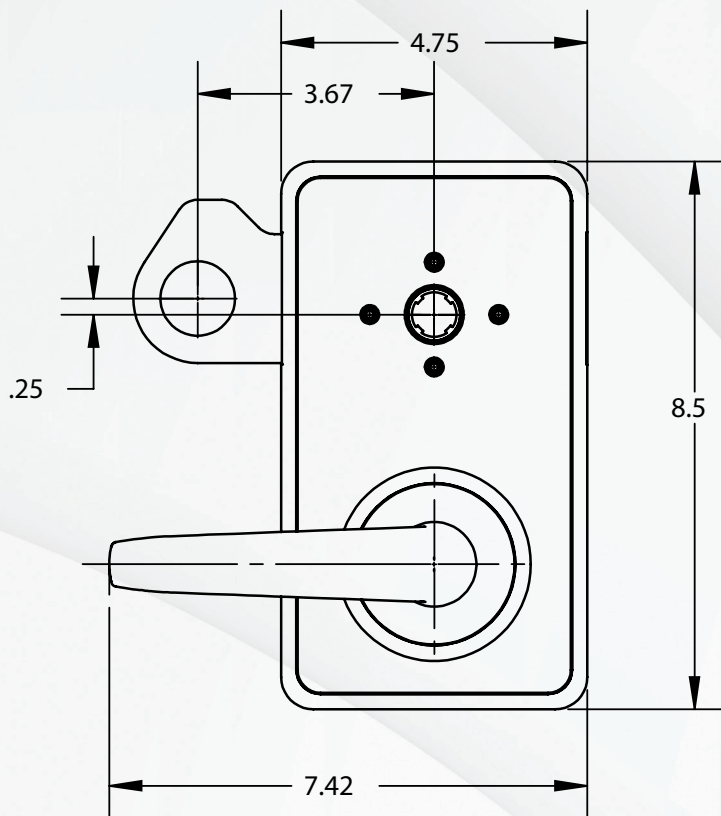
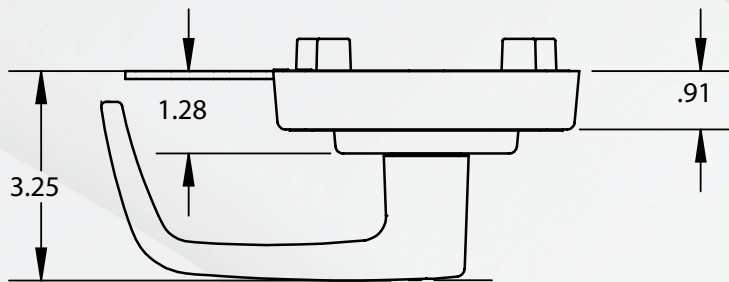
Grade 1



Providing **Life Safety**
and **High Security**

LKM10K
High Security Life Safety Exit Device

Exterior Trim with Fire Rated Key Override Installed



Specifications

Materials

Lock Housing - Stainless Steel
Finish - Stainless Steel & Black Powder Coat

Stainless Steel Deadbolt

Deadlocking, 7/16" throw Encapsulated

Lock

Supplied with your choice of lock meeting FF-L-2740B

Door Thickness

Minimum 1-1/8" - 2"; Maximum 2 5/8"
Spindle extension available for 3" thick doors

Door Types

Single or Double hung
Outswing
Hollow Metal or Wood
Metal or Wood Frames

Handing

Non-handed

Monitoring Switches

Deadbolt Switch - monitors the Pedestrian Device Bolt (Request to Exit - REX)
Combination Lock Switch - monitors the FF-L-2740B Combination Lock Bolt
Entry Monitoring Switch - monitors the Lever Handle

Access Control

Accepts 12 or 24 volts DC - requires 1 amp
Keypad installs adjacent to or on door slab

Key Override Cylinder

Accepts 1-1/8" rim cylinder
Horizontal tailpiece orientation
Cylinder NOT included

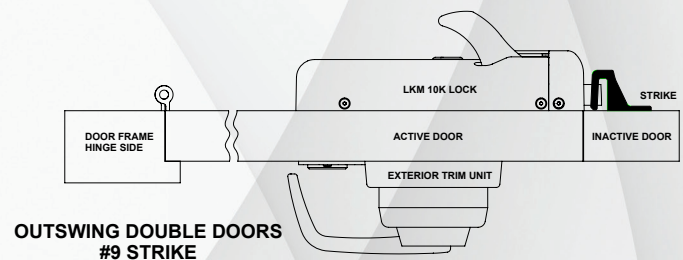
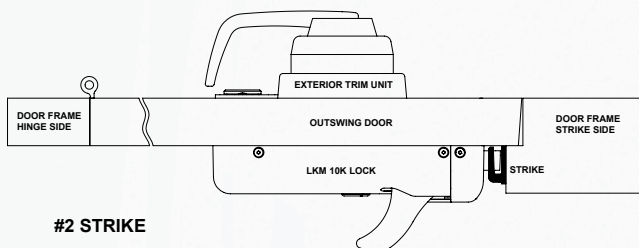
Strike Test

A 6,000 lb force was applied to each type of strike in the direction of the door swing.

Warranty

2 year from date of manufacture

Exclusive Adjustable Stainless Steel Strikes



Panic Bar Models Part Numbers - Types III & IV

Part Number	Type/Model	Door Application	Lock Options	Access Control	Strike Options
Type III - For Use with provided standalone access control					
LKM10KPX10SAS2	Type III - Panic Bar Model with Standalone Access Control	Primary Door For Use with Outswing Door	Kaba Mas X-10	Standalone SDC 920 Provided	2
LKM10KPX10SAS9	Type III - Panic Bar Model with Standalone Access Control	Primary Door For Use with Pair of Doors	Kaba Mas X-10	Standalone SDC 920 Provided	9
LKM10KP2740SAS2	Type III - Panic Bar Model with Standalone Access Control	Primary Door For Use with Outswing Door	S&G 2740B	Standalone SDC 920 Provided	2
LKM10KP2740SAS9	Type III - Panic Bar Model with Standalone Access Control	Primary Door For Use with Pair of Doors	S&G 2740B	Standalone SDC 920 Provided	9
Type IV - For Use with integrated Access Control					
LKM10KPX10S2	Type IV - Panic Bar Model	Primary Door For Use with Outswing Door	Kaba Mas X-10	Existing	2
LKM10KPX10S9	Type IV - Panic Bar Model	Primary Door For Use with Pair of Doors	Kaba Mas X-10	Existing	9
LKM10KP2740S2	Type IV - Panic Bar Model	Primary Door For Use with Outswing Door	S&G 2740B	Existing	2
LKM10KP2740S9	Type IV - Panic Bar Model	Primary Door For Use with Pair of Doors	S&G 2740B	Existing	9

LOCKMASTERS[®]
INCORPORATED

2101 John C. Watts Drive
Nicholasville, Kentucky 40356
800.654.0637
www.lockmasters.com
www.lkm10k.com